





Welcome to Mod-U-Lok

Temporary structure system

Now, more than ever before, the world is changing. Rules are being rewritten, values are being realigned and businesses of all shapes and sizes are reinventing themselves accordingly. Traditional paradigms have shifted irreversibly and resources such as space, time, people, capital and opportunity suddenly present a spectrum of new and unfamiliar challenges.

Mod-U-Lok has been engineered in direct response to these obstacles. It reimagines tried and tested technologies in order to make it possible for businesses to access reconfigurable, extendable and flexible structures that are both straightforward to specify and simple to install.

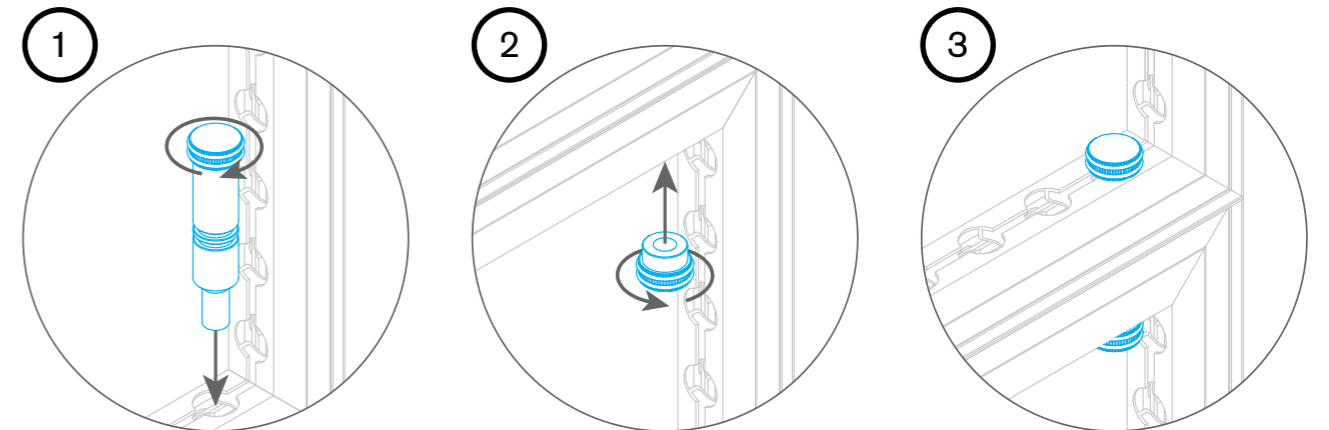
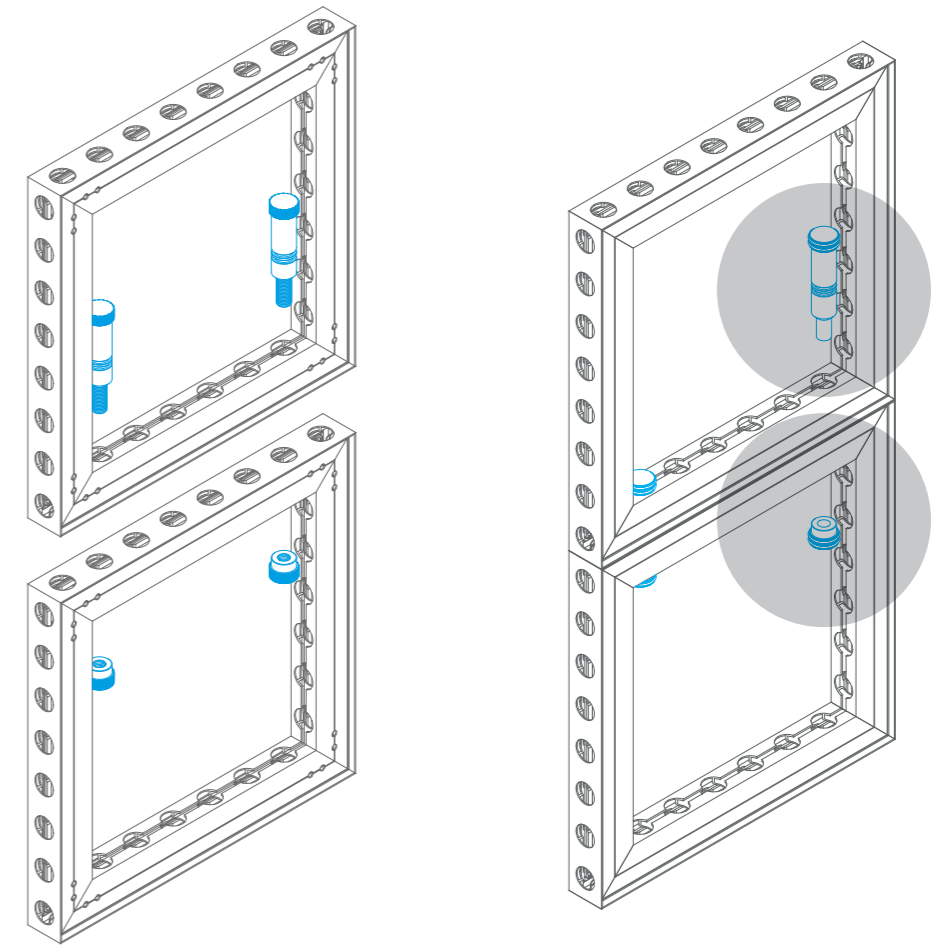
An ever-growing range of curved and rectilinear frames, Mod-U-Lok components can be connected together without the need for complex tools or specialist training. The result? The creation of an infinite array of spaces and structures that work for you.

Mod-U-Lok represents Unibox's commitment to affordability, quality, ingenuity and sustainability. It achieves this simply by making it possible for our clients and partners to make future-oriented investments that uphold their values, protect their reputations and, ultimately, make the world in which they operate better for everyone.

Designed and manufactured in the UK using fully-recyclable aluminium profiles – themselves formed from 50% recycled materials – Mod-U-Lok is ready to stand alongside your business and enable it to thrive in the face of adversity...time and time (and time) again.

Frame connections

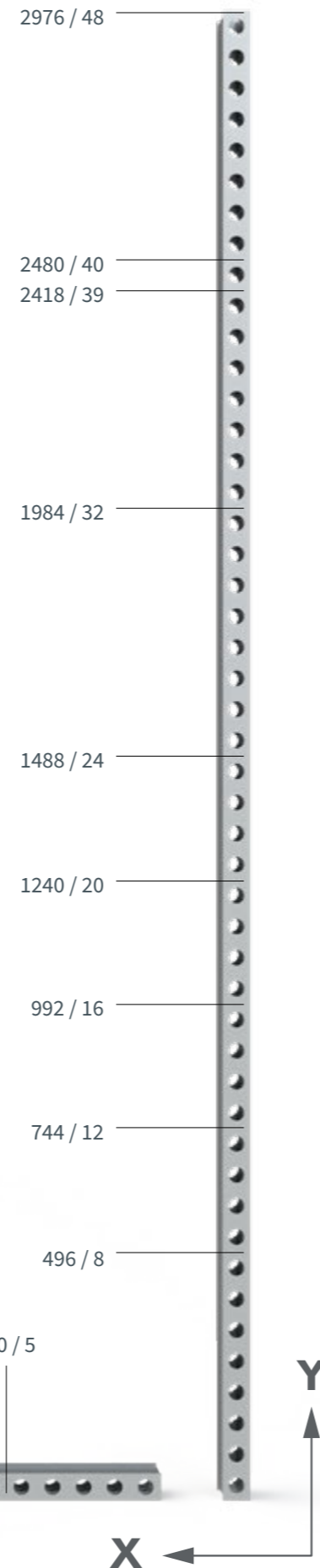
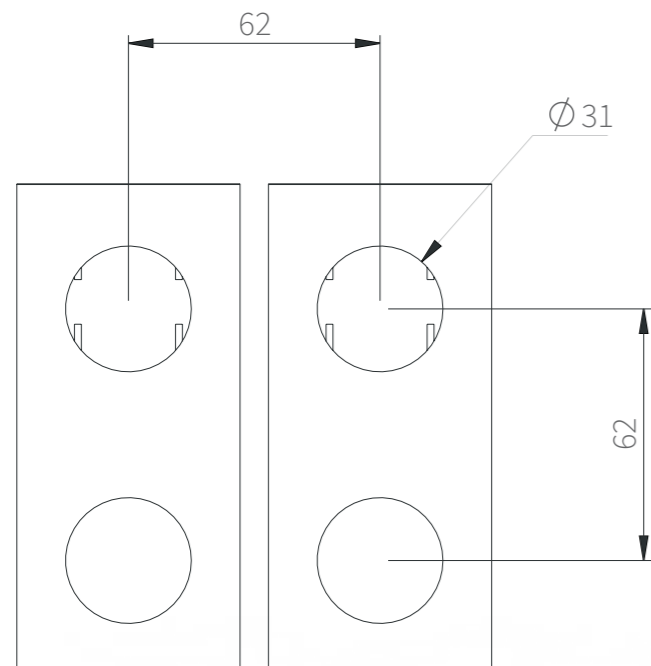
Mod-U-Lok frames are connected together using components developed in-house by our team of design experts. Formed using precision engineering and built out of ultra-durable yet recyclable materials, our tool-free connectors link frames together in series and parallel with one another via CNC-machined holes measuring 62mm from centre to centre. Although the design process was complex and considered, Mod-U-Lok connectors are straightforward to use without the need for any specialist training.



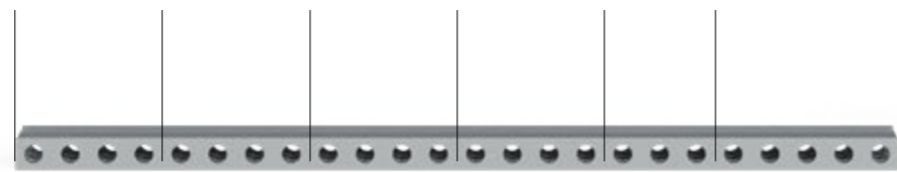
62mm connection grid

Mod-U-Lok is a celebration of simplicity and flexibility. It has been designed and engineered to operate according to a special configuration of CNC-machined holes, all equal in both diameter and depth.

Between the centre of one hole and the next there is a distance of 62mm to allow frames, posts, doors, brackets and accessories to be connected together. When in series, these holes run in horizontally and vertically in columns and rows to form a matrix which is referred to as the 62mm connection grid.



1488 / 24 1240 / 20 992 / 16 744 / 12 496 / 8 310 / 5



* Figures shown refer to the size in mm and number of holes.



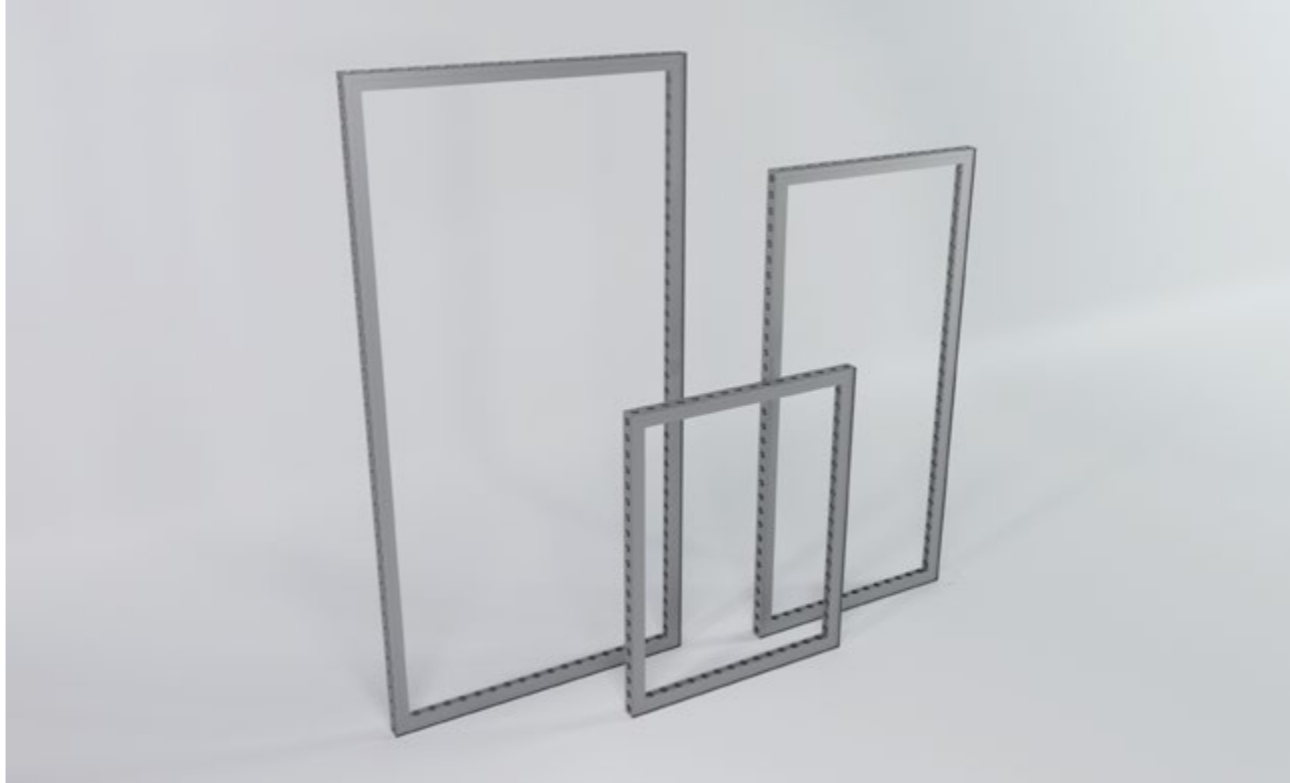
Frame assembly

To extend the flexibility of Mod-U-Lok even further, each aluminium profile, connector and accessory has been engineered so that structures can be disassembled and reassembled using nothing more than an Allen key.

This unique feature enables you to transport frames easily from one event to another and store them for use in the future making Mod-U-Lok the cost-effective, environmentally-friendly solution, practical solution for applications of all types.



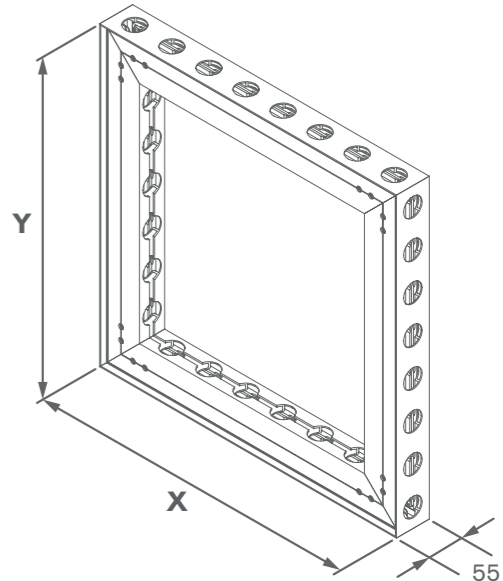
Straight frames



Frames measuring 55mm deep are available in a wide range of modular sizes using the 62mm connection grid. Utilising specially-engineered Unibox corner connectors, 55mm frames can be supplied pre-assembled for speed and simplicity or in knock down format for easier transportation and storage. With both options, the retrospective dismantling of structures is effortless which allows them to be moved between different locations and functions without issue.

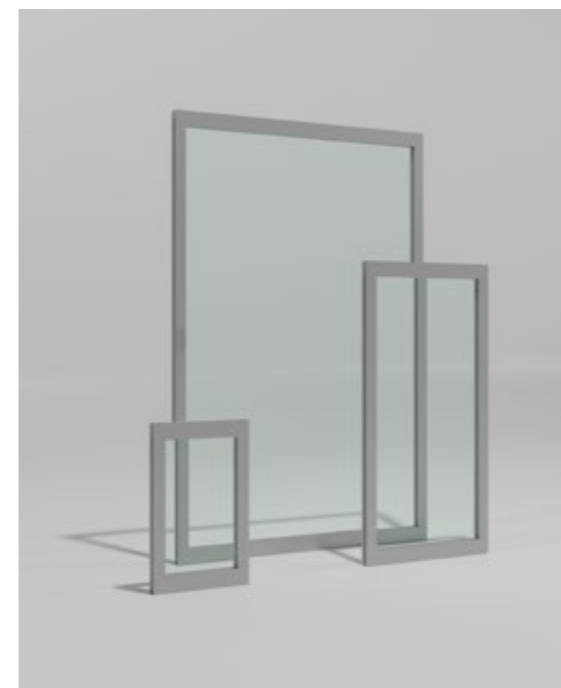
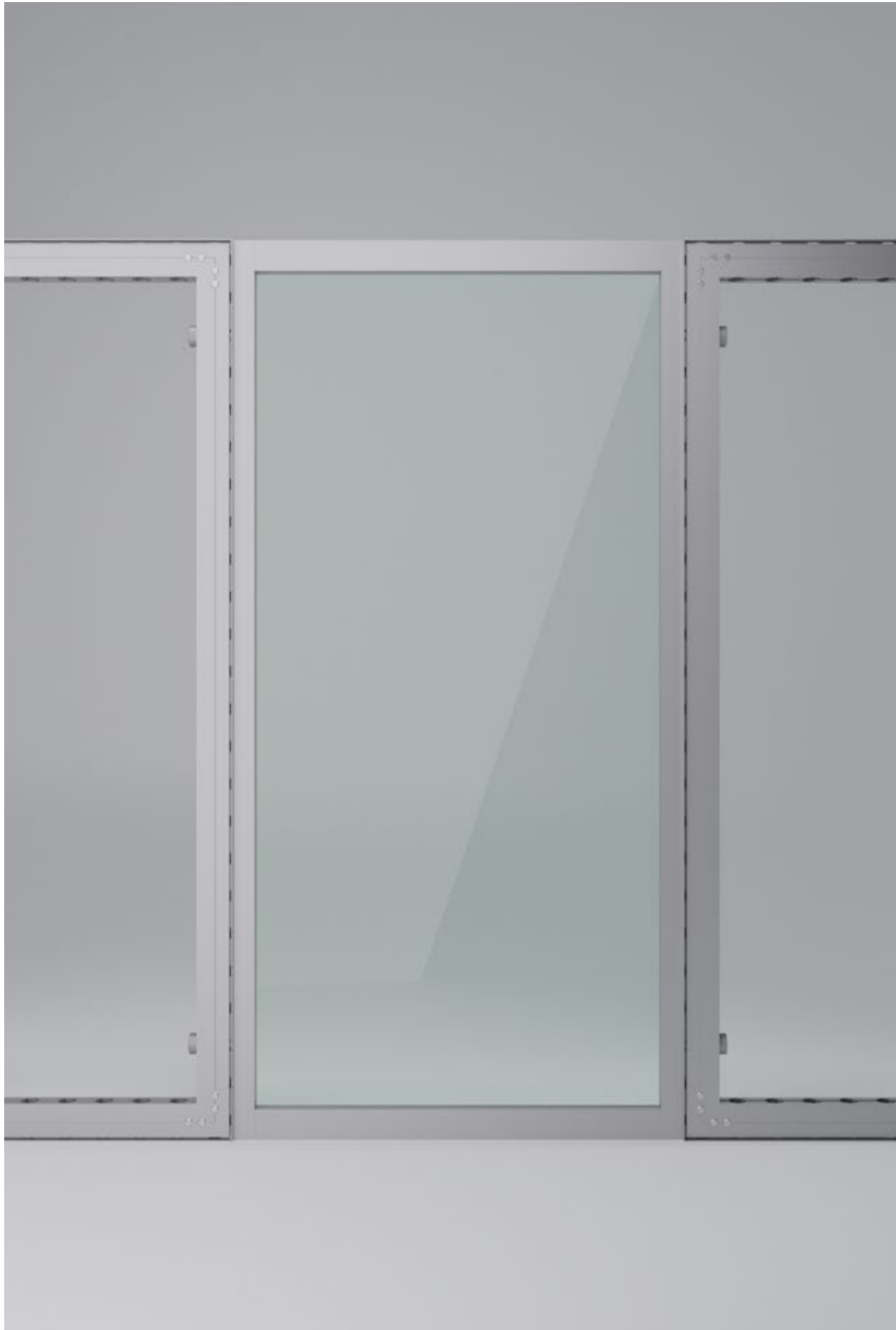
Standard Sizes:
Min Width X: 310 mm Min Height Y: 496 mm
Max Width X: 1488 mm Max Height Y: 2976 mm

For more detailed information, please see our technical guide.
Custom sizes available on request.



Glazed panels

Panels housed in aluminium frames made from Unibox System profiles can be supplied to enhance Mod-U-Lok structures by creating windows to allow additional light to enter into a space. With Unibox System and Mod-U-Lok being engineered to be fully compatible with one another, panels can be built into Mod-U-Lok structures without the need for any additional tools or fixing brackets.



Standard Sizes:

Min Width X: 310 mm
Max Width X: 992 mm

Min Height Y: 496 mm
Max Height Y: 2976 mm

For more detailed information, please see our technical guide.
Custom sizes available on request.

Unibox channel integration

The Mod-U-Lok range of profiles, connectors and accessories is engineered to be fully compatible with Unibox System to enable users to combine both systems together and create an even wider range of custom structures.

Being based on the universally-recognised 64mm connection grid, both Mod-U-Lok and Unibox System can be used in conjunction with other similar modular systems to provide designers with the flexibility they need to create structures of all sizes, shapes and functions.



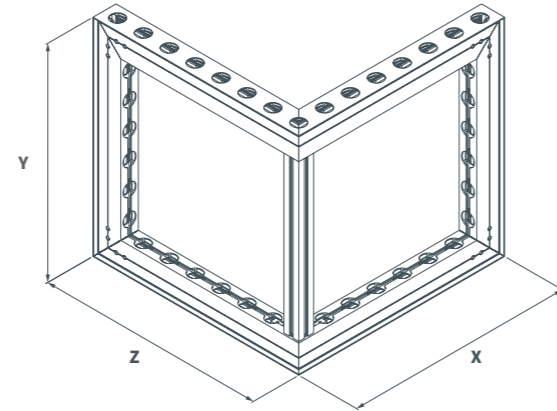
Seamless corner

Seamless corner frames are fully compatible with the entire range of Mod-U-Lok frames. They make it possible to achieve elegant, clean lines in structures of all shapes and sizes, on both internal and external faces.

Standard Sizes:

Min Width X&Z: 244.5 mm Min Height Y: 310 mm
 Max Width X&Z: 492.5 mm Max Height Y: 2976 mm

For more detailed information, please see our technical guide.
 Custom sizes available on request.



Seamless U

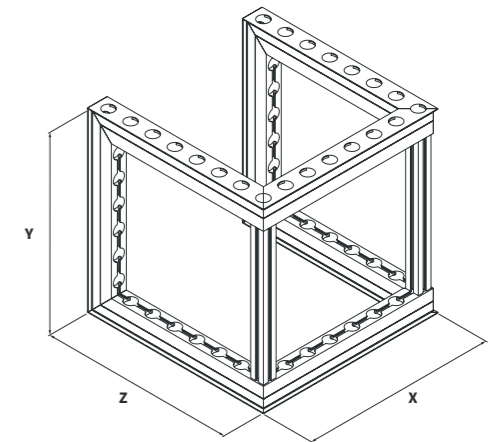
Seamless 'U' frames are fully compatible with the entire range of Mod-U-Lok frames. They make it possible to create sleek columns and tower-shaped structures of all shapes and sizes, both on internal and external faces.

Standard Sizes:

Min Depth Z: 244.5 mm Min Height: 496 mm
 Max Depth Z: 492.5 mm Max Height: 2976 mm

X Width: 489 mm

For more detailed information, please see our technical guide.
 Custom sizes available on request.



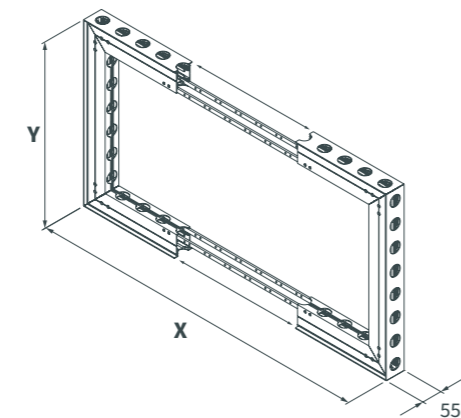
Adjustable frame

Mod-U-Lok structures can also be built using adjustable frames. These complement the core range of straight and curved frames to offer you an even greater amount of flexibility when it comes to specifying custom dimensions. Thanks to careful engineering, frames can be adjusted by up to 372mm in 62mm increments using nothing but an Allen key.

Standard Sizes:

Min Width X: 558 mm Min Height Y: 310 mm
 Max Width X: 930 mm Max Height Y: 2976 mm

For more detailed information, please see our technical guide.
 Custom sizes available on request.



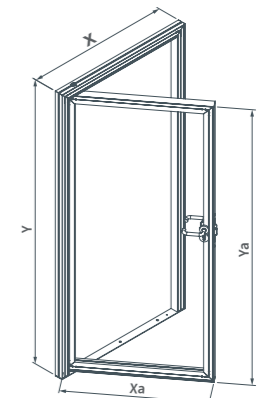
Doors

Mod-U-Lok doors and door frames are available in standard and custom sizes to suit your specific requirements. Each door is supplied with pivot hinges and locking mechanisms, all of which are located neatly within CNC-machined holes to preserve the overall aesthetic of your structure. Door frames can be connected to both straight and curved frames by using the Short Connecting Pin and T-Bolt (see page 25).

Standard Sizes:

Min Width X: 992 mm Min Height: 1984 mm
 Max Width X: 1240 mm Max Height: 2418 mm

For more detailed information, please see our technical guide.
 Custom sizes available on request.





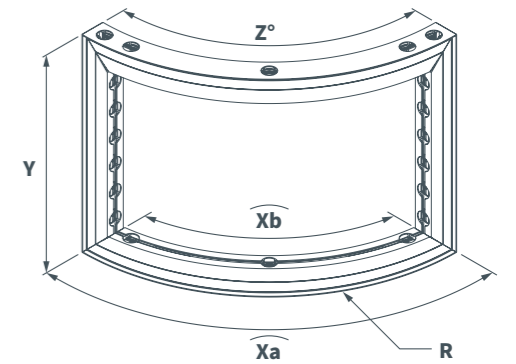
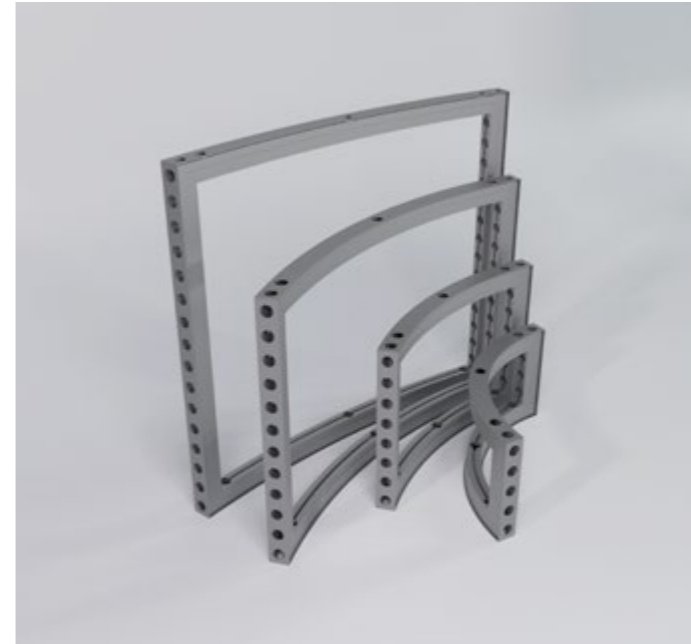
Curved frames

Curved Mod-U-Lok frames are compatible with the full range of frames and are available in both quadrant (90°), octant (45°) and hexadecagon (22.5°) formats. Curved frames accept pre-curved and flexible panels and fabrics and can be supplied with specially-designed support membranes to prevent tension fabrics from distorting when stretched into position.

Standard Sizes:

Min Height Y: 496 mm	Available Radius's:
Max Height Y: 2976 mm	492.5 mm / 90°
	988.5 mm / 45°
	1484.5 mm / 45°
	2972.5 mm / 22.5°

For more detailed information, please see our technical guide.
Custom sizes available on request.



Curved frames

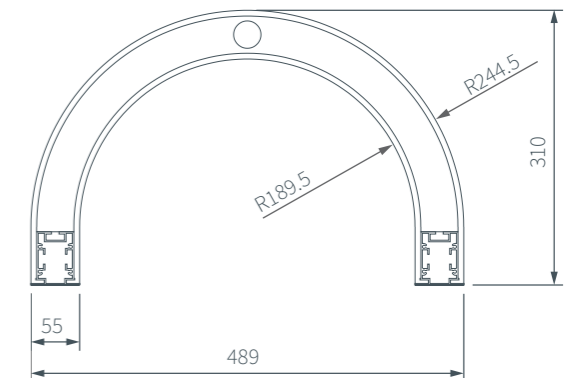
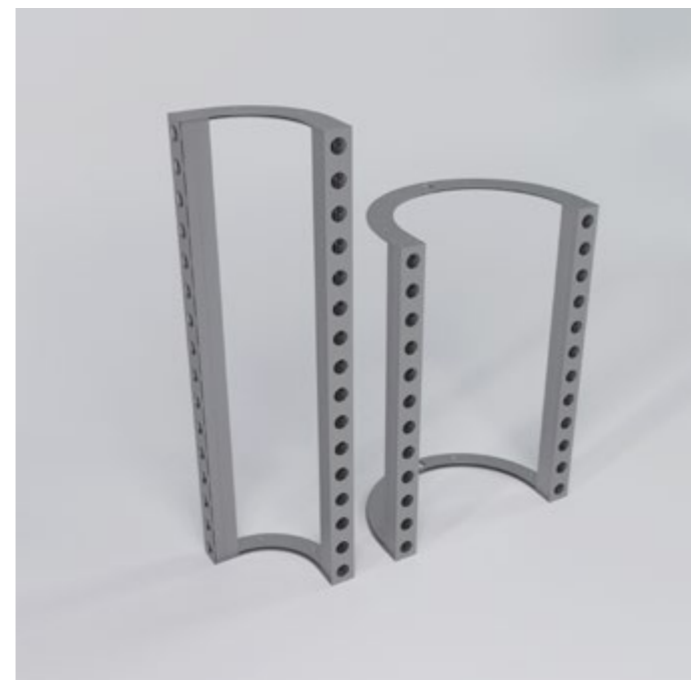
(Capped)

For structures with especially acute corners and small radii, capped frames offer the best solution. Consisting of triple-layered plates, these frames with laser-cut ends ensure that issues such as warping and distortion do not arise when aluminium profiles are curved to tight radii to achieve certain shapes. As with standard Mod-U-Lok curved frames, they are available with fabric support membranes.

Standard Sizes:

Min Height Y: 496 mm	Available Radius's:
Max Height Y: 2976 mm	489 mm / 90°
	489 mm / 180°

For more detailed information, please see our technical guide.
Custom sizes available on request.





Four-way post

Mod-U-Lok Four-Way Posts can be used to connect both straight and curved frames together to create structures suited to your specific requirements and applications. They can be precision-cut according to the system's 62mm connection grid. By using Short Connecting Pins and T-Bolts, Four-Way posts are designed to offer additional flexibility.

Standard Sizes:

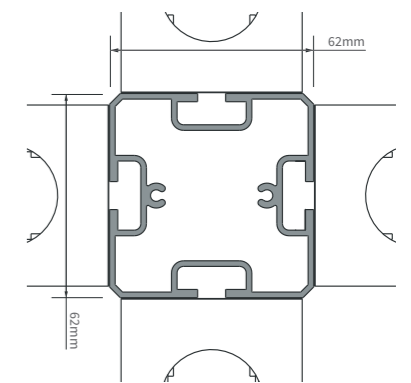
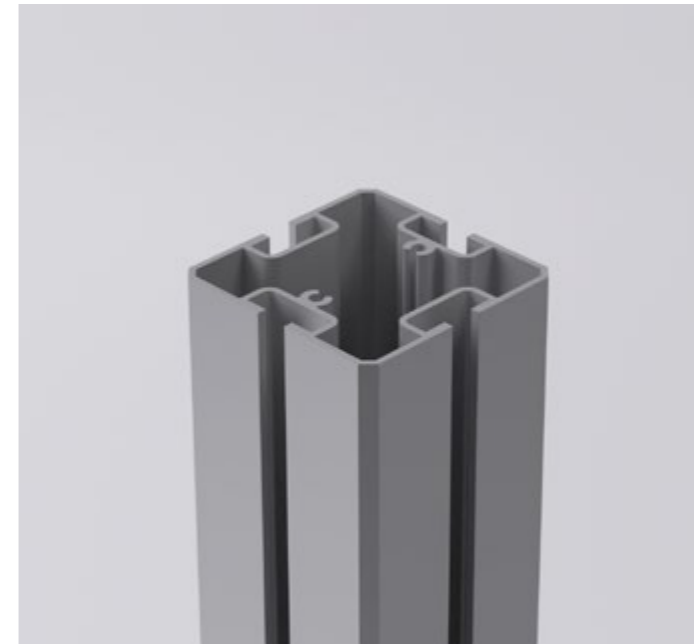
Min Height Y: 496 mm

Max Height Y: 2976 mm

Available in lengths upto 5200 mm

For more detailed information, please see our technical guide.

Custom sizes available on request.



Two-way TFS post

Mod-U-Lok Two-Way TFS posts are an alternative way of connecting both straight and curved frames together to create structures suited to your specific requirements and applications. They are fixed onto frames using Short Connecting Pins and T-Bolts and allow tension fabric graphics to meet seamlessly at 90° corners without disrupting the organisation of the 62mm connection grid.

Standard Sizes:

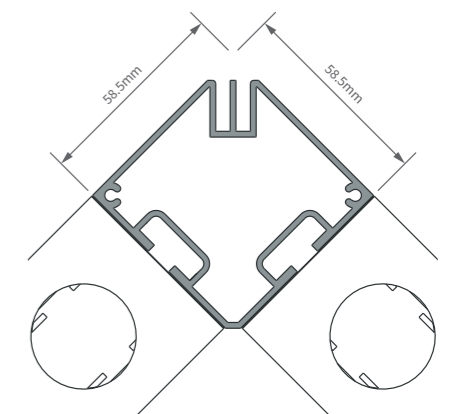
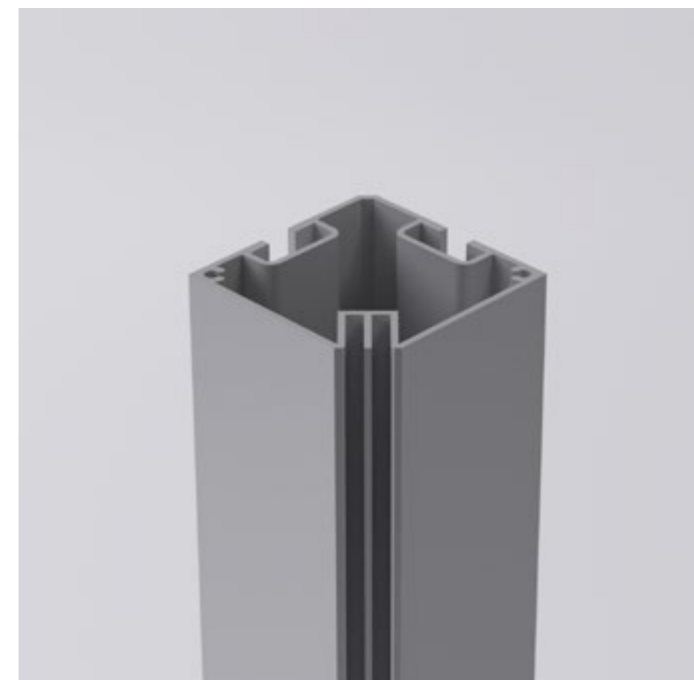
Min Height Y: 496 mm

Max Height Y: 2976 mm

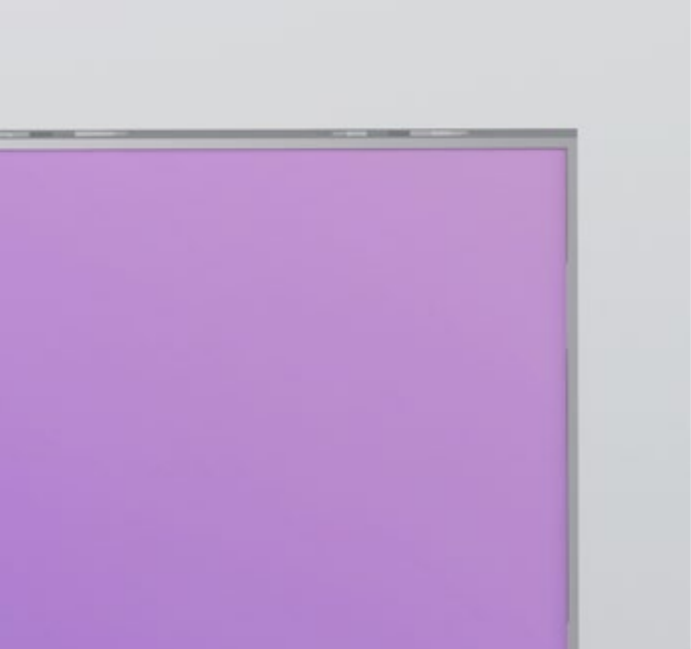
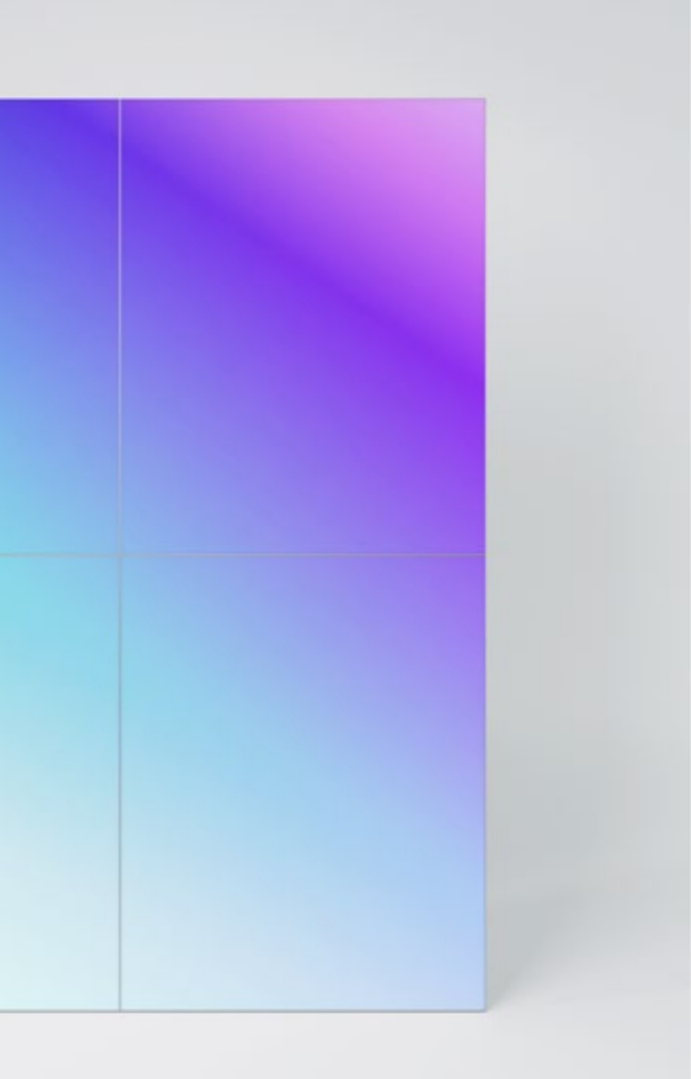
Available in lengths upto 5200 mm

For more detailed information, please see our technical guide.

Custom sizes available on request.

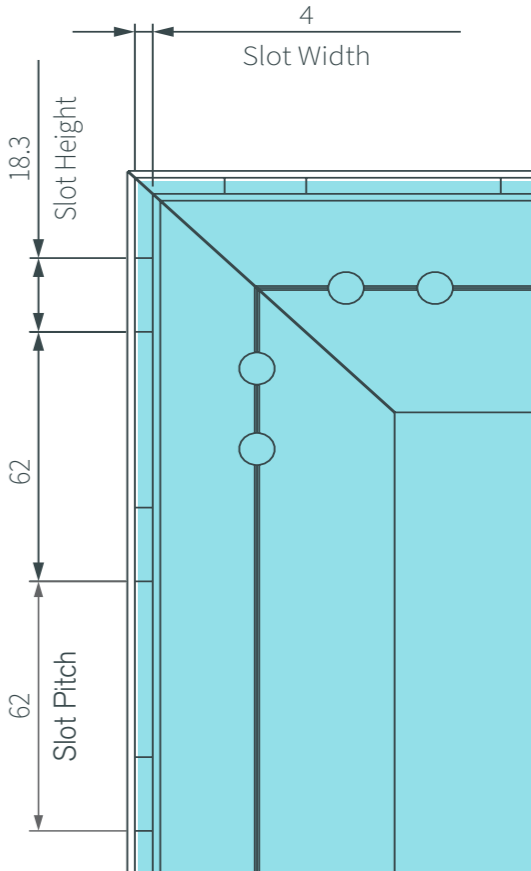
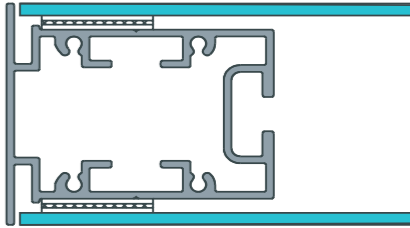


Finishing panel A

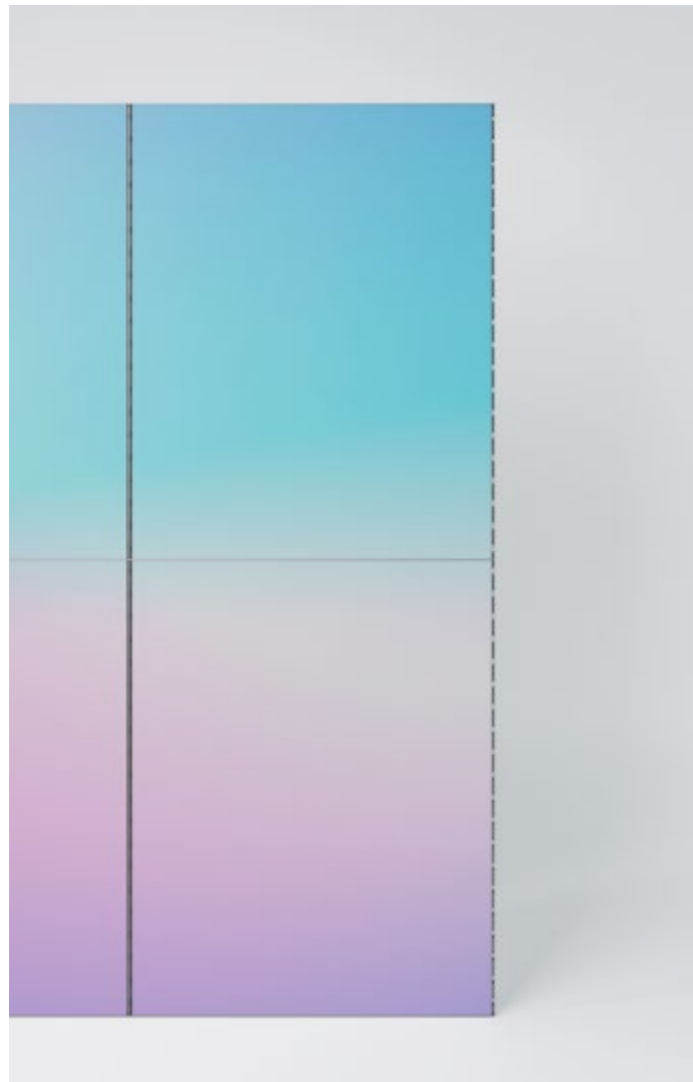


Mod-U-Lok structures can be embellished using finishing panels to meet your individual aesthetic requirements. Both straight and curved frames are engineered to accept panels formed from a variety of different materials including aluminium composite and foamed PVC that are up to 3mm thick so that they sit perfectly flush. Frames are all supplied with self-adhesive 'hook and loop' tape to make the assembly process as straightforward as possible. Thanks to the design of the channels in Mod-U-Lok frames, finishing panels are an easy way in which to achieve a sleek, virtually seam-free finish to structures of all shapes and sizes.

- Panel A**
- Edge-to-Edge graphic panels.
 - Provides single frame coverage.



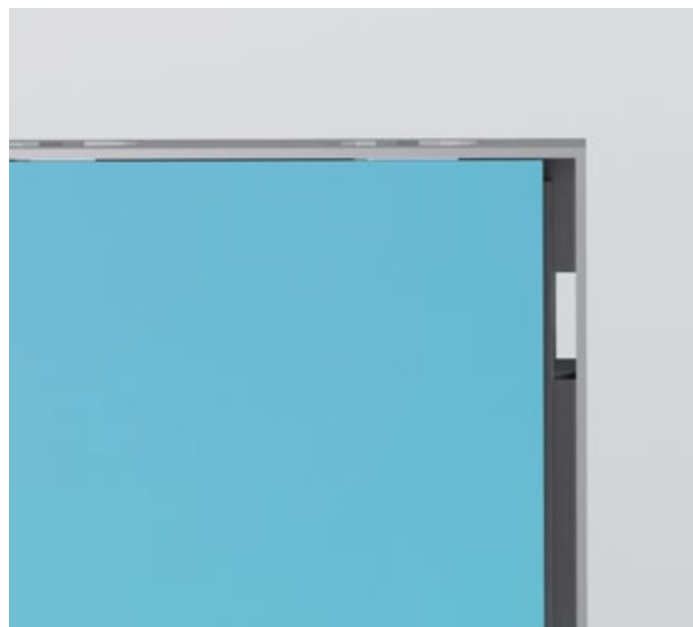
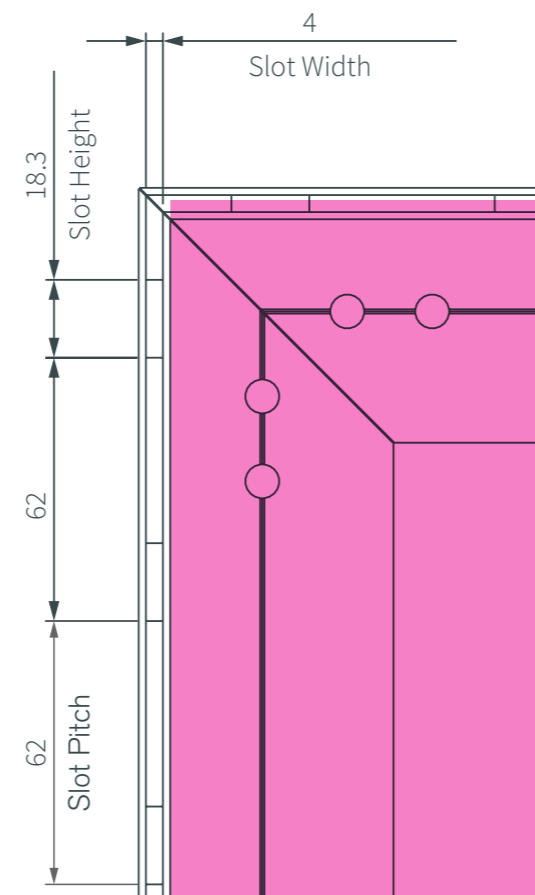
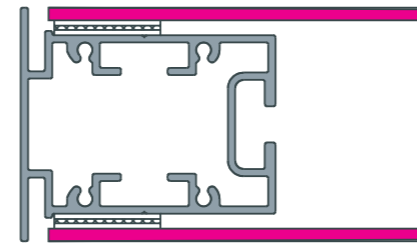
Finishing panel B



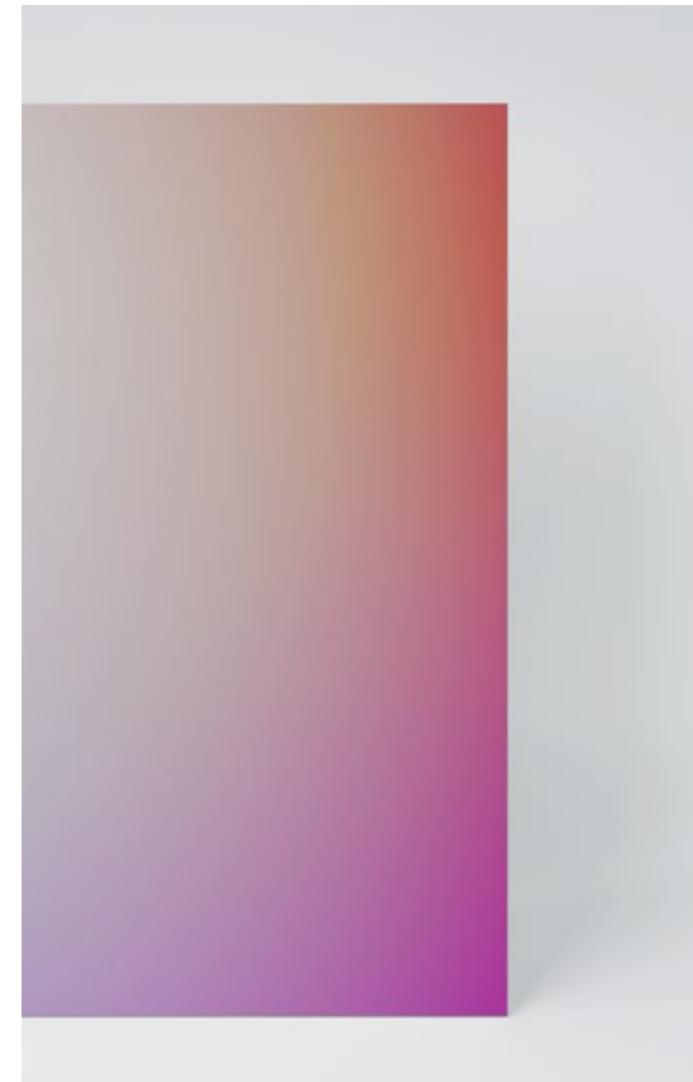
Finishing panel B offers all of the same creative freedom and flexibility as standard finishing panels, being compatible with the entire range of Mod-U-Lok frames and available in a variety of different materials. Unlike standard panels, though, finishing panel b are designed to leave the CNC-machined slots at each end of the aluminium profile exposed. This allows you to securely attach accessories such as shelves, clothes rails and brackets onto your structure without compromising custom graphic panels and lessening their visual impact.

Panel B

- Graphic panels that allow access to slotted channel at edges of frames.
- Provides single frame coverage.



Tension fabrics

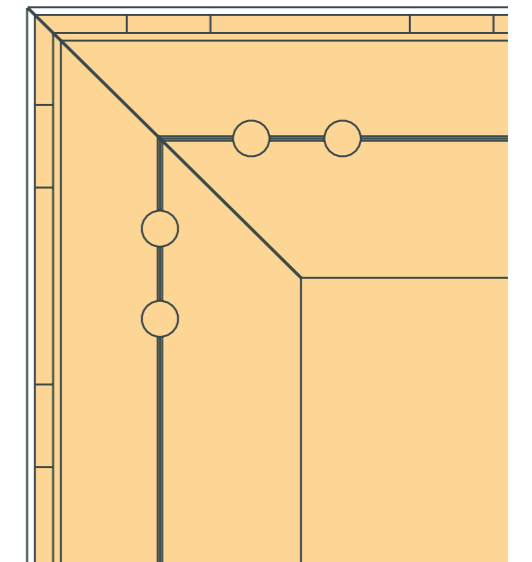
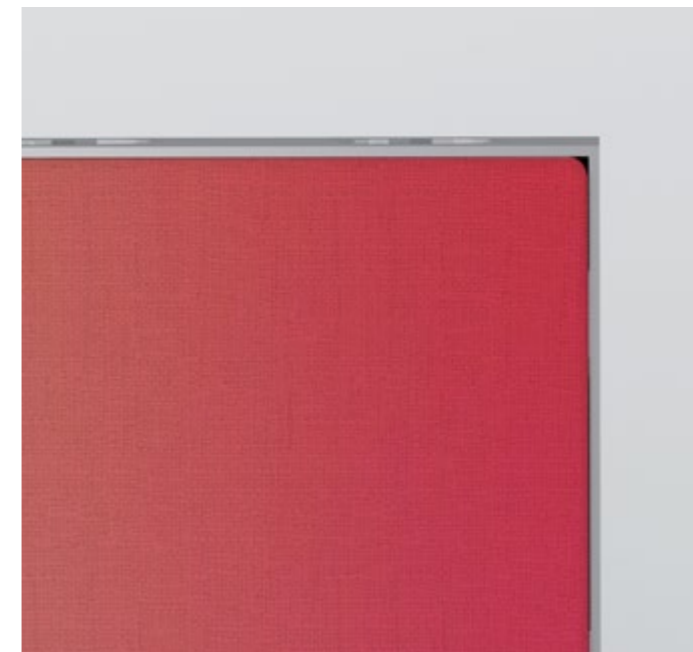
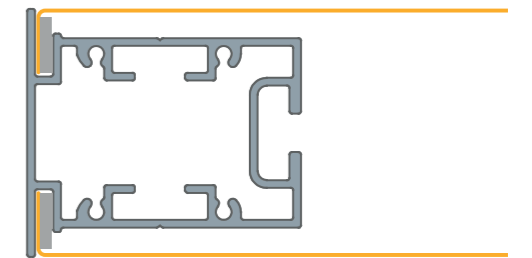


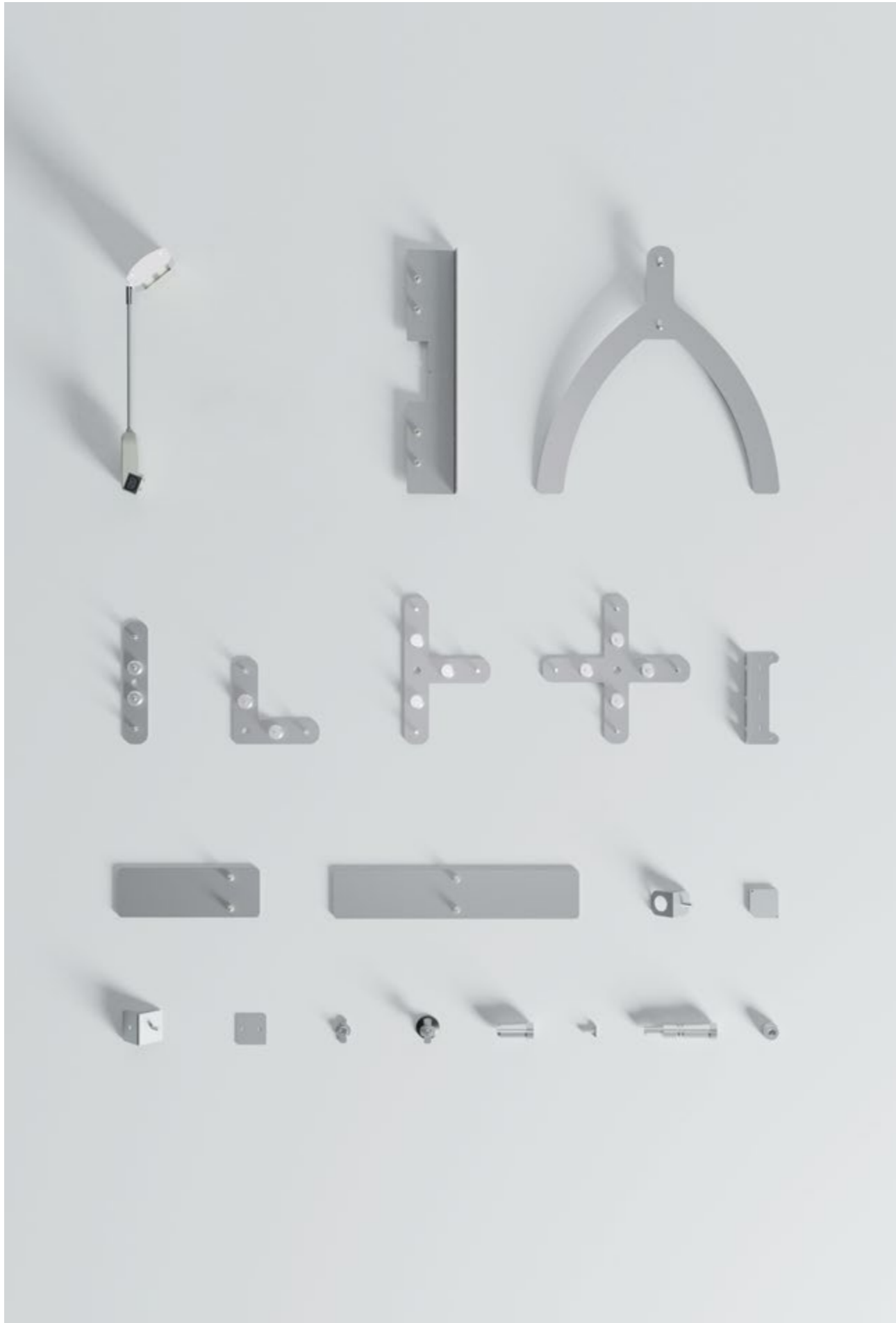
Mod-U-Lok frames are manufactured using aluminium profiles that are designed and engineered by Unibox in-house. The unique shape of the channels in the profiles means high-quality tension fabric graphics can be inserted into frames with speed and ease. Custom fabrics can be cut according to the size of your Mod-U-Lok structure to create seamless displays of any size.

Tension fabrics can be produced in sections so that a single graphic spans multiple Mod-U-Lok frames without showing joined edges or seams. This allows you to incorporate impressively large graphic areas on internal and external faces of your stand.

Tension Fabrics

- Edge-to-Edge graphic panels.
- Provides single frame coverage.
- Provides multiple frame coverage.



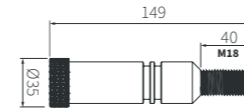


Pin connectors

Long Connector Pin
Part Code: ML1ALCP



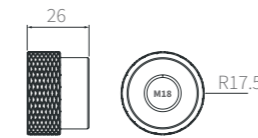
Long connector pin for frame-to-frame connections.
(To be used in conjunction with ML1AM18C).



M18 Collar
Part Code: ML1AM18C



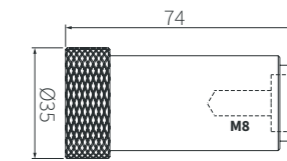
Connector collar for frame-to-frame connections.
(To be used in conjunction with ML1ALCP).



Short Connecting Pin
Part Code: ML1ASCP



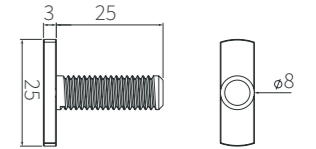
Short pin connector for various connector plates and T-Bolt.
(To be used in conjunction with ML1ATB, Foot Plates, Frame Connectors and Ceiling Brackets).



T-Bolt
Part Code: ML1ATB



T-Bolt used for post profile frame connections.
(To be used in conjunction with ML1ASCP).

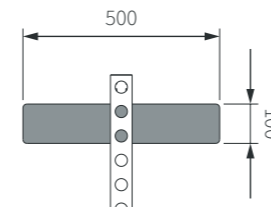


Foot plates

Double Side Foot Plate
Part Code: ML1ADSF



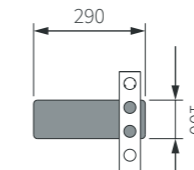
Double sided 6mm steel foot for stability.



Single Side Foot Plate
Part Code: ML1ASSFP



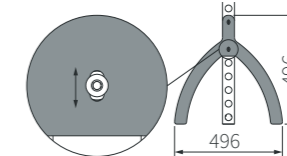
Single sided 6mm steel foot for stability.



Side Mount Foot Plate
Part Code: ML1ASMFP



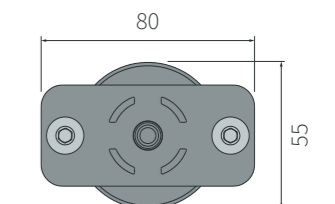
Side mount steel support foot. Slot fixing holes for vertical movement. This allows for connector plates and other foot options.



Adjustable Foot
Part Code: ML1AAF



Foot with vertical adjustment for levelling frames on uneven surfaces.

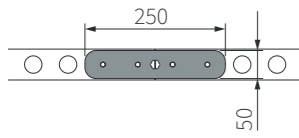


Frame connectors

One-Way Connector
Part Code: ML1A1WC



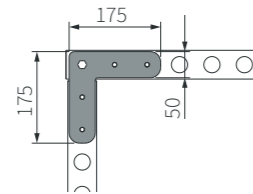
Frame-to-frame connector for straight in-line connections. Installed top and bottom of frame.



Two-Way Connector
Part Code: ML1A2WC



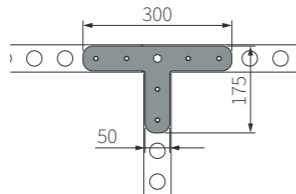
Frame-to-frame connector for 90° connections. Installed top and bottom of frame.



Three-Way Connector
Part Code: ML1A3WC



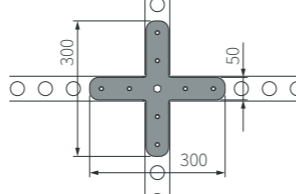
Frame-to-frame connector for 3 way connections. Installed top and bottom of frame.



Four-Way Connector
Part Code: ML1A4WC



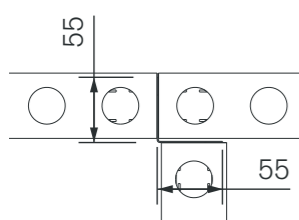
Frame-to-frame connector for 4 way connections. Installed top and bottom of frame.



Single T Connector
Part Code: ML1ASTC



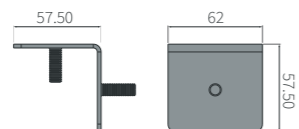
Frame-to-frame connector for 2 way connections. Installed between frames for 90° frame turn.



Ceiling Bracket
Part Code: ML1ACB

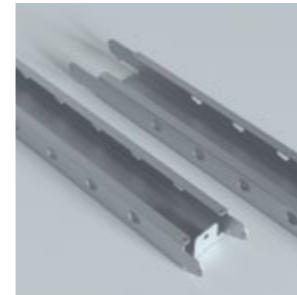


This bracket makes it easy to connect butt-jointed frames together at seamless 90° angles.

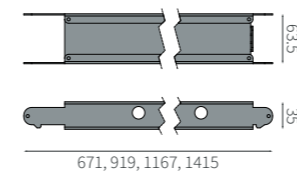


Fixing & support

Ceiling Panel Support
Part Code: ML1ACPS



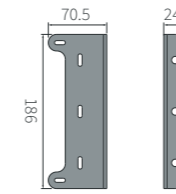
Provides additional area to secure ceiling panels. Suitable for 744mm, 992mm, 1240mm & 1488mm straight frames. Hook tape is pre-mounted.



Patress Mounting Bracket
Part Code: ML1APMB



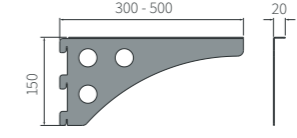
The versatile bracket to support patresses with pre-positioned fixing holes.



Shelf Brackets
Part Code: ML1ASB



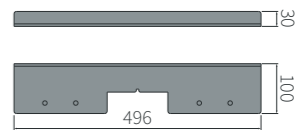
The hook-in bracket to create adjustable shelving. Available in 300, 400 & 500mm depths. Supplied in pairs.



Ceiling Support Bracket
Part Code: ML1ACSB



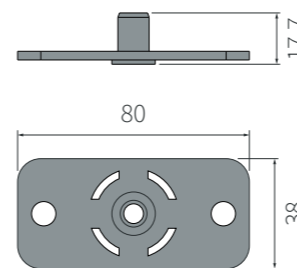
This provides essential structural reinforcement for Mod-U-Lok structures with ceilings by preventing aluminium profiles from sagging when suspended horizontally.



Adjustable Bracket
Part Code: ML1AAB



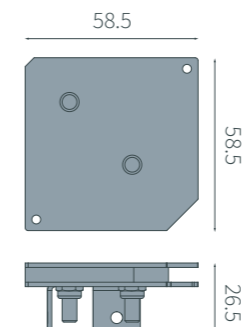
A small bracket that locates to provide a threaded fixing point for multi-use purposes.



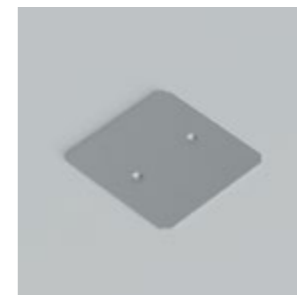
Two-way TFS Post Cap
Part Code: ML1A2WTFSPC



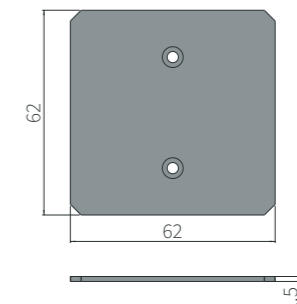
Post cap designed to cover the ends of the two-way TFS post.



Four-Way Post Cap
Part Code: ML1A4WPC



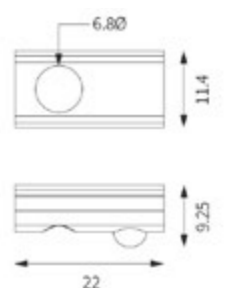
Post cap designed to cover the ends of four-way profiles.



M8 Roll Nut
Part Code: UA6072

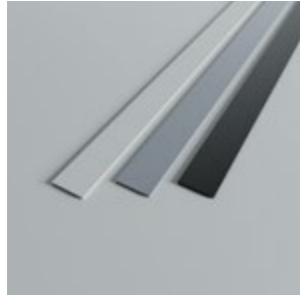


A Roll Nut with a spring-loaded ball bearing. The nut can be retro-fitted into any Unibox System channel whilst the ball bearing holds it in place.



Covers

Hole blanking strips
Part Code: MLHBS-(CLR)



55mmx2418mm @3mm thick.
With adhesive backing.
Available in:
Black: MLHBS-BLK
White: MLHBS-WHT
Silver: MLHBS-SLV

Hole blanking rolls
Part Code: MLHBR-(CLR)



55mm W Low tack adhesive roll.
Black: MLHBR-BLK
White: MLHBR-WHT
Silver: MLHBR-SLV

Hook & Loop Fastening Tape
Part Code: ML1AHLFT



This self-adhesive fixing tape is an excellent alternative to screws, nails and glue. It uses hooked tape that locks into corresponding looped tape to create adjustable yet ultra-secure connections.

Curved hole blanking strips
Part Code: MLCHBS-492-(CLR)



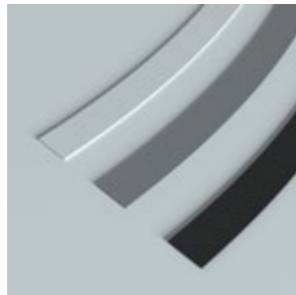
55mm x R492.5mm @3mm thick.
With adhesive backing.
Available in:
Black: MLCHBS-492-BLK
White: MLCHBS-492-WHT
Silver: MLCHBS-492-SLV

Curved hole blanking strips
Part Code: MLCHBS-988-(CLR)



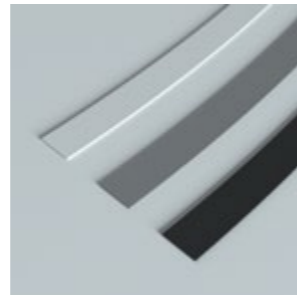
55mm x R988.5mm @3mm thick.
With adhesive backing.
Available in:
Black: MLCHBS-988-BLK
White: MLCHBS-988-WHT
Silver: MLCHBS-988-SLV

Curved hole blanking strips
Part Code: MLCHBS-1484-(CLR)



55mm x R1484.5mm @3mm thick.
With adhesive backing.
Available in:
Black: MLCHBS-1484-BLK
White: MLCHBS-1484-WHT
Silver: MLCHBS-1484-SLV

Curved hole blanking strips
Part Code: MLCHBS-2972-(CLR)



55mm x R2972.5mm @3mm thick.
With adhesive backing.
Available in:
Black: MLCHBS-2972-BLK
White: MLCHBS-2972-WHT
Silver: MLCHBS-2972-SLV

Lighting

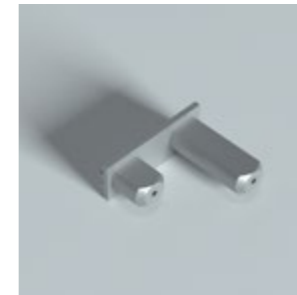
Spotlight Kit
Part Code: ML1ASL



LED spotlight with a movable head that enables the direction and angle of illumination to be adjusted. Spotlights are fixed into Mod-U-Lok frames using locator pins.

**Kit includes 2 lights & 2 power cables.*

Spotlight Locator Pin
Part Code: ML1ASLLP



Locator pin works in conjunction with the LED spotlight and drops through the hole arrangement in a Mod-U-Lok frame to secure in position.

Spotlight Link Cable
Part Code: ML1ASLLC



Spotlight link cable enables upto 10 spotlights in a sequence to be linked together.





Get In Touch

+44(0)161 655 2100
info@unibox.co.uk
www.unibox.co.uk

HQ:
Greenside Way, Middleton, Manchester M24 1SW

