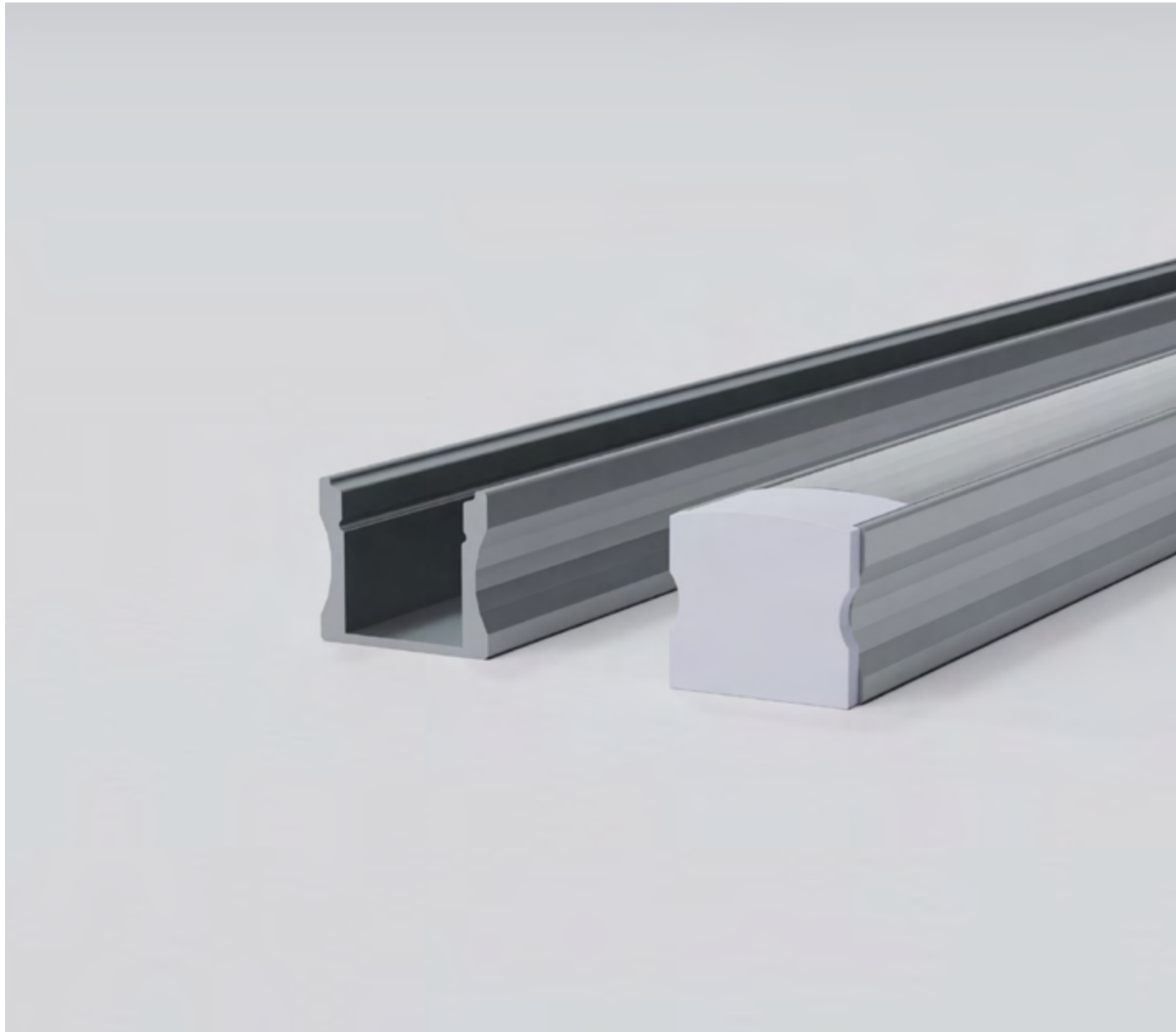


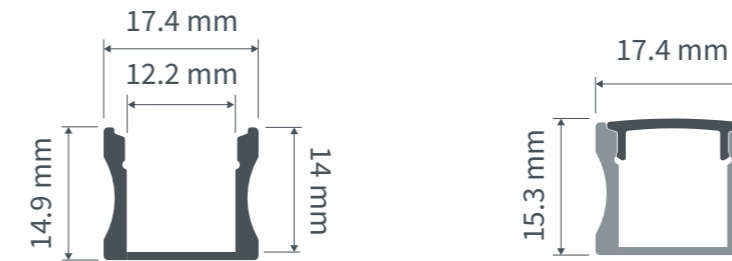
Auriga 1816

UA38865

This is the simplest lightbar in our range. It uses an aluminium profile which is purposefully minimalist so that it is suitable for a wide variety of applications in environments of all types.



Profile cross section



Specifications

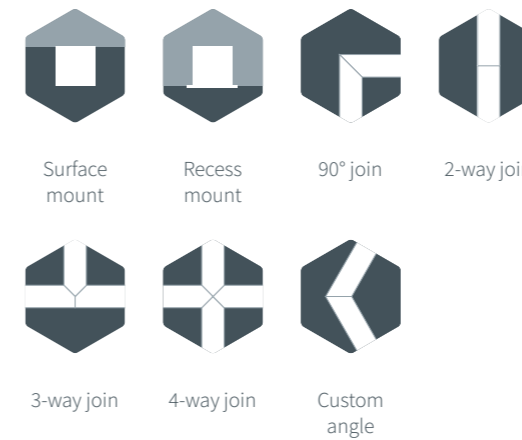
Profile Measurements:
 Width: 17.4 mm
 Height: 14 mm
 Length: 3000 mm
 Weight: 0.184 kg per metre

Material:
 Aluminium 6063-T6

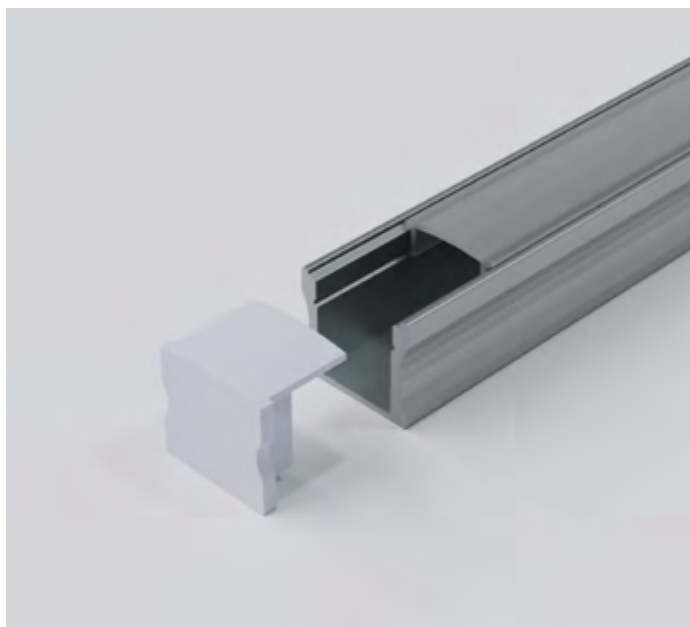
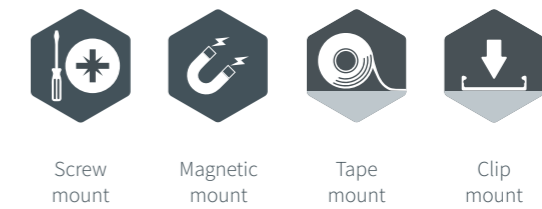
Standard Finish:
 Satin silver anodised - 15 micron

Diffuser Type B:
 Opal, Frosted, Clear

Profile features



Fixing methods



Optional Hardware



End Cap Set
 UA38865 - ENDCAPSET



Metal Clip
 UA38867-CLIPS