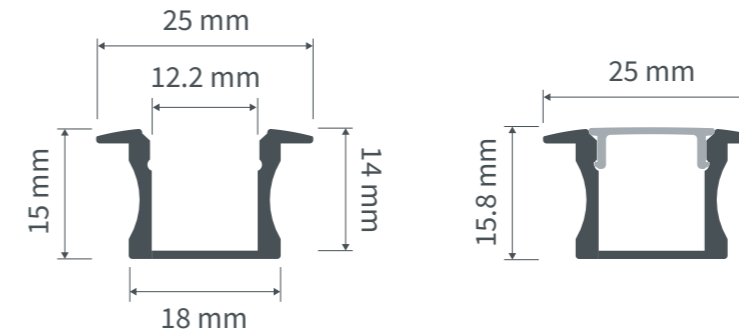


Haldus 2516

UA38867

Haldus 2516 lightbars use aluminium profiles with a lip in the continuously-extruded channel which conceals unsightly edges when the lightbar is recessed into a wall or ceiling. This makes Haldus 2516 ideally suited for environments in which aesthetics are key.

Profile cross section



Specifications

Profile Measurements:
 Width: 25 mm
 Height: 15 mm
 Length: 3000 mm
 Weight: 0.217 kg per metre

Material:
 Aluminium 6063-T6

Standard Finish:
 Satin silver anodised - 15 micron

Diffuser Type B:
 Opal, Frosted, Clear

Profile features



Recess
mount

Fixing methods



Screw
mount



Magnetic
mount



Tape
mount

Optional Hardware



End Cap Set
 UA38867 - ENDCAPSET



Metal Clip
 UA38867-CLIPS

